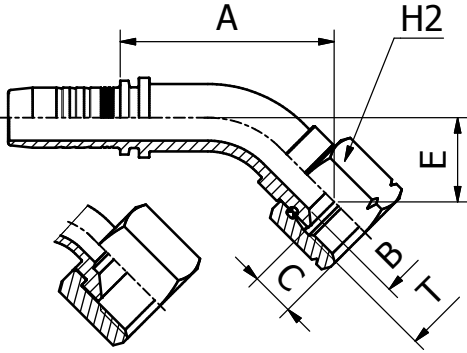


SAE STANDARD CONNECTIONS

# M22542/M22543

45° JIC FEMALE SWEPT ELBOW  
37° CONE SEAT  
SAE J516 / ISO 12151-5



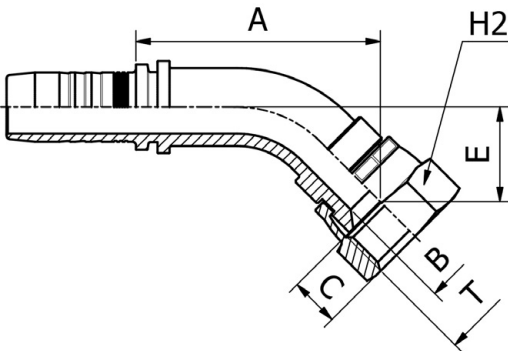
PART. REF.	HOSE BORE			Thread	T	DIMENSIONS mm				
	DN	Dash	inch			B	A	C	E	H2
M22542-03-04	5	- 3	3/16"	7/16" - 20		4.0	35.0	8.7	14.5	17.0
M22542-04-04	6	- 4	1/4"	7/16" - 20		4.0	35.5	8.7	14.5	17.0
M22542-04-05	6	- 4	1/4"	1/2" - 20		4.0	35.5	9.1	14.5	17.0
M22542-05-05	8	- 5	5/16"	1/2" - 20		5.5	37.5	9.1	14.0	17.0
M22542-05-06	8	- 5	5/16"	9/16" - 18		7.0	38.0	9.2	14.5	19.0
M22542-06-06	10	- 6	3/8"	9/16" - 18		7.0	42.0	9.2	16.5	19.0
M22542-08-06	12	- 8	1/2"	9/16" - 18		7.0	43.0	9.2	16.5	19.0
M22542-08-08	12	- 8	1/2"	3/4" - 16		9.3	52.0	10.2	20.0	22.0
M22542-10-10	16	- 10	5/8"	7/8" - 14		12.5	62.0	12.3	25.5	27.0
M22542-12-08	19	- 12	3/4"	3/4" - 16		9.3	53.5	10.2	20.0	22.0
M22542-12-10	19	- 12	3/4"	7/8" - 14		12.5	63.5	12.3	25.0	27.0
M22542-12-12	19	- 12	3/4"	1.1/16" - 12		15.0	70.0	14.2	27.5	32.0
M22542-12-14	19	- 12	3/4"	1.3/16" - 12		15.0	69.5	14.3	27.5	36.0
M22542-12-16	19	- 12	3/4"	1.5/16" - 12		19.8	70.0	15.0	27.5	38.0
M22542-16-12	25	- 16	1"	1.1/16" - 12		15.0	72.5	14.2	27.5	32.0
M22542-16-16	25	- 16	1"	1.5/16" - 12		19.8	84.0	15.0	32.0	38.0
M22542-16-20	25	- 16	1"	1.5/8" - 12		26.0	90.0	16.2	36.0	50.0
M22542-20-20	31	- 20	1.1/4"	1.5/8" - 12		26.0	103.5	16.2	41.5	50.0
M22542-20-24	31	- 20	1.1/4"	1.7/8" - 12		32.0	106.5	18.8	44.5	60.0
M22542-24-24	38	- 24	1.1/2"	1.7/8" - 12		32.0	119.0	18.8	46.5	60.0
M22542-32-32	51	- 32	2"	2.1/2" - 12		44.0	163.0	24.0	68.0	75.0
M22543-04-06	6	- 4	1/4"	9/16" - 18		4.0	35.5	9.8	14.0	19.0
M22543-06-08	10	- 6	3/8"	3/4" - 16		7.0	41.0	10.1	14.0	22.0
M22543-06-10	10	- 6	3/8"	7/8" - 14		9.3	42.5	12.4	15.5	27.0
M22543-08-10	12	- 8	1/2"	7/8" - 14		9.3	49.5	12.4	17.0	27.0
M22543-08-12	12	- 8	1/2"	1.1/16" - 12		12.5	49.5	14.1	17.0	32.0
M22543-10-12	16	- 10	5/8"	1.1/16" - 12		12.5	60.0	14.1	24.0	32.0

129 FITTINGS

SAE STANDARD CONNECTIONS

# M22541KR

45° JIC FEMALE SWEPT ELBOW  
37° CONE SEAT  
SAE J516 / ISO 12151-5



PART. REF.	HOSE BORE			Thread	T	DIMENSIONS mm				
	DN	Dash	inch			B	A	C	E	H2
M22541-04-04KR	6	- 4	1/4"	7/16" - 20		4.2	34.5	8.9	13.5	15.0
M22541-04-05KR	6	- 4	1/4"	1/2" - 20		4.0	35.0	9.4	14.0	17.0
M22541-06-06KR	10	- 6	3/8"	9/16" - 18		7.0	42.0	9.5	16.0	17.0
M22541-08-08KR	12	- 8	1/2"	3/4" - 16		9.3	52.0	10.7	20.0	22.0
M22541-10-10KR	16	- 10	5/8"	7/8" - 14		12.5	61.0	12.5	22.5	25.0
M22541-12-12KR	19	- 12	3/4"	1.1/16" - 12		15.0	69.0	14.1	26.5	32.0